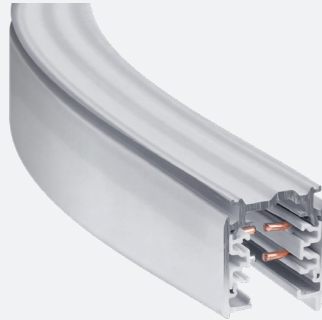




Straight Track

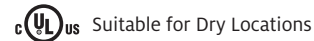


Curved Track

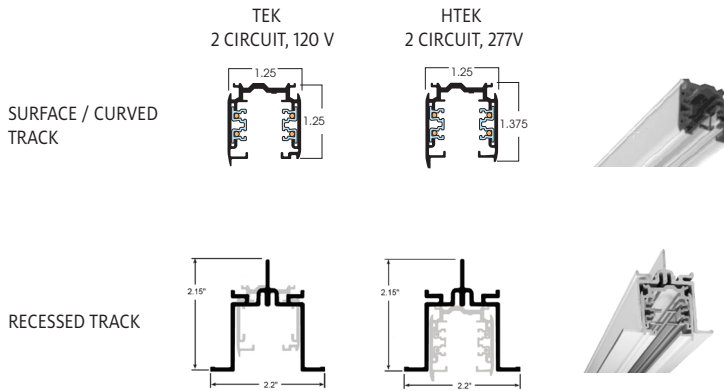
GLOBAL TRAC™

TEK/HTEK – Straight / Curved Track

- Independent neutrals: Enable greater capacity (2 X 20A)
- Oversized Conductors: For higher operating safety and reduced overload potential
- Secure Bus Bar Insulation: Firmly crimped insulation secures both conductors and insulation for product life
- Separate Mechanical Suspension Points: Provides superior weight bearing capacity; ensures electrical contact integrity and reduces the likelihood of arcing
- Polarity Ridge: Takes the guesswork out of connector and track alignments during installation
- Durable, dependable, and simple-to-install track system
- Order accessories and suspension separately – see the components specification sheet.
- Tracks are field cuttable



System Overview



Surface Track Order Code

[A] **TEK4** [2] [3] [B] **HTEK4** [2] [3]

[A] ORDER 2 CIRCUIT / 2 NEUTRAL 120V

- 1 TRACK ' **TEK4** TEK 2-Circuit / 2-Neutral Track, 120 V
- 2 LENGTH **4** 4 Feet | **8** 8 Feet | **12** 12 Feet
- 3 COLOR **-1** Natural | **-2** Black | **-3** White

[B] ORDER 2 CIRCUIT / 2 NEUTRAL 277V

- 1 TRACK ' **HTEK4** TEK 2-Circuit / 2-Neutral Track, 277 V
- 2 LENGTH **4** 4 Feet | **8** 8 Feet | **12** 12 Feet
- 3 COLOR **-1** Natural | **-2** Black | **-3** White

1 All track lengths can be cut to size on field.

Recessed Track Order Code¹

[C]

[C] ORDER RECESSED TRACK JACKET

- 1 TRACK **FTP4** Recessed track jacket
- 2 LENGTH **4** 4 Feet | **8** 8 Feet | **12** 12 Feet
- 3 COLOR **-1** Natural | **-2** Black | **-3** White

1 Order the applicable Surface Track by choosing between [A] or [B] , then choose a Recessed Track Jacket per order code [C] Recessed Track cannot be installed in an existing inaccessible ceiling, must have access from below while installing recessed track jacket.

Curved Track Order Code¹

[A] [B]

[A] ORDER 2 CIRCUIT / 2 NEUTRAL TRACK 120V

- 1 TRACK **TEK4** TEK 2-Circuit / 2-Neutral
- 2 LENGTH **XX** Specify Length in Feet
- 3 RADIUS² **RXX** Specify Curve Radius in Feet
- 4 COLOR **-1** Natural | **-2** Black | **-3** White

[B] ORDER 2 CIRCUIT / 2 NEUTRAL TRACK 277V

- 5 TRACK **HTEK4** HTEK 2-Circuit / 2-Neutral
- 6 LENGTH **XX** Specify Length in Feet
- 7 RADIUS² **RXX** Specify Curve Radius in Feet
- 8 COLOR **-1** Natural | **-2** Black | **-3** White

- 1 Not available in Recessed. Please consult factory for all orders.
- 2 Minimum radius required = 8'

Components Order Code

Components must be ordered separately. [Link](#) to Suspension and Accessories >>>

Luminaires Order Code

Compatible luminaires must be ordered separately. [Link](#) to ONICO medium and large track heads >>>

We reserve the right to change, without notice, specifications or materials. Supporting documentation found on zumtobel.us are the most recent versions and supersede all other versions that exist in any other printed or electronic form.